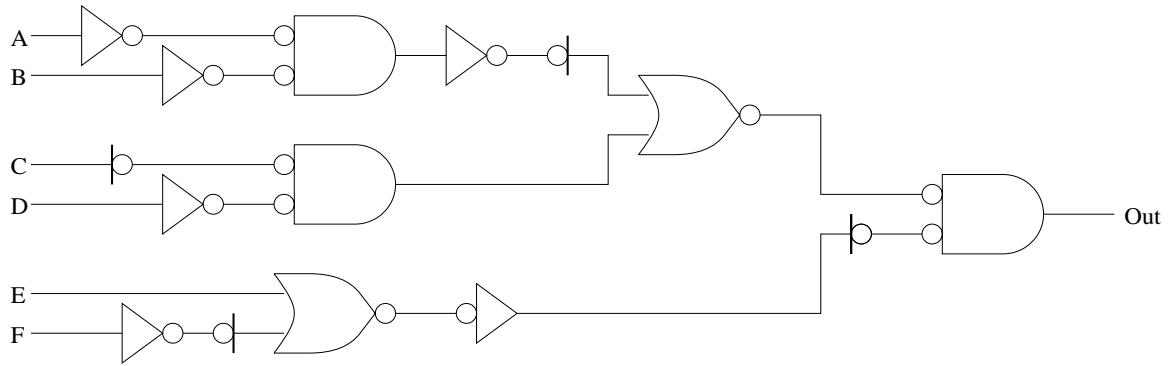


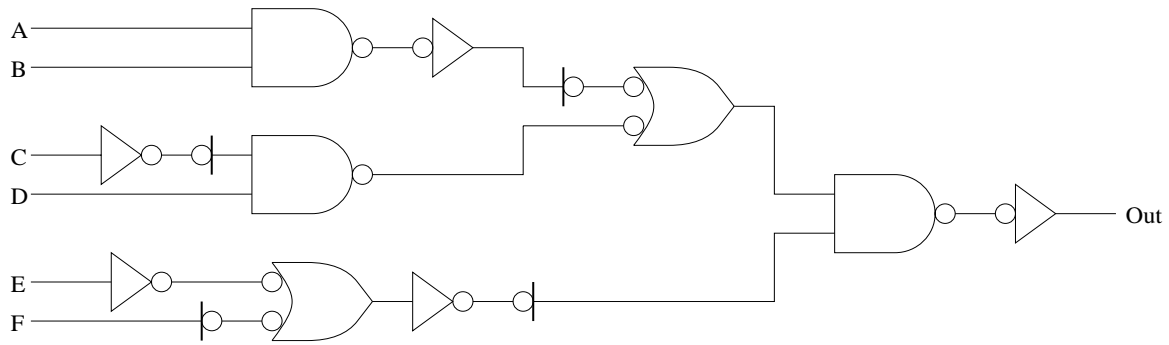
Combinational Design

Part A



32 transistors

Part B



30 transistors

Part C

$$Out = (\bar{A} + \bar{B} + \bar{C}D) \bar{E} F$$

Part D

