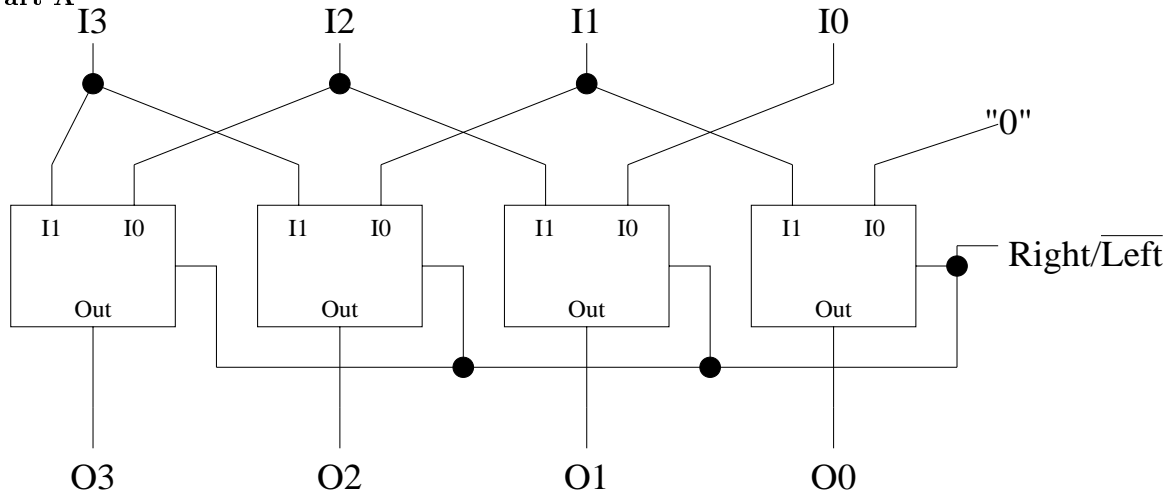


Shift Unit

Part A



Part B Now reimplement the design using only pass gates and inverters. Use the same input and output signals.

