

*Instructions:* This is a closed book, closed note exam. Calculators are not permitted. If you have a question, raise your hand and I will come to you. Please work the exam in pencil and do not separate the pages of the exam. For maximum credit, show your work.  
*Good Luck!*

Your Name (*please print*) \_\_\_\_\_

1	2	3	4	total
<input type="text"/>	<input type="text"/>	<input type="text"/>	<input type="text"/>	<input type="text"/>
30	25	30	15	100



Problem 1 (3 parts, 30 points)

Memory Systems

Part A (10 points) Consider a **256 Mbit** DRAM chip organized as **32 million addresses** of **one byte words**. Assume both the DRAM cell and the DRAM chip is square. The column number and offset concatenate to form the memory address. Using the organization approach discussed in class, answer the following questions about the chip. **Express all answers in decimal.**

- number of columns \_\_\_\_\_
- column decoder required ( $n$  to  $m$ ) \_\_\_\_\_
- type of mux required ( $n$  to  $m$ ) \_\_\_\_\_
- number of muxes required \_\_\_\_\_
- number of address lines in column number \_\_\_\_\_
- number of address lines in column offset \_\_\_\_\_

Part B (10 points) Consider a **one Gbyte** memory system with **128 million addresses** of **eight byte words** using DRAM chips organized as **16 million addresses** by **16 bit words**.

- word** address lines for memory system \_\_\_\_\_
- chips needed in one bank \_\_\_\_\_
- banks for memory system \_\_\_\_\_
- memory decoder required ( $n$  to  $m$ ) \_\_\_\_\_
- DRAM chips required \_\_\_\_\_

Part C (10 points) (10 points) Design a 96M address x 4 bit memory system using 32M address x 4 bit memory chips. **Label all busses and indicate bit width**. Assume R/W is connected and not shown here. Use a decoder if necessary. Be sure to include the address bus, data bus, and MSEL.

Problem 2 (3 parts, 25 points)

Microcode

Using the supplied datapath, write microcode fragments to accomplish the following procedures. Express all values in hexadecimal notation. Use 'X' when a value is don't cared. For maximum credit, complete the description field.  $\cap$  means bitwise logical AND.

Part A (10 points) Use only registers 1 & 2.

$$R_2 = \frac{R_1}{256} + R_1 \cap 255$$

#	X	Y	Z	rwe	im en	im va	au en	-a /s	lu en	lf	su en	st	ld en	st en	r/-w	m sel	description
1																	
2																	
3																	
4																	

Part B (10 points) mem[0x100] = 0 - mem[0x100]. Use only registers 1, 2, & 3.

#	X	Y	Z	rwe	im en	im va	au en	-a /s	lu en	lf	su en	st	ld en	st en	r/-w	m sel	description
1																	
2																	
3																	
4																	
5																	

Part C (5 points) Exchange R<sub>1</sub> and R<sub>2</sub>. Use only registers 1, 2 & 3.

#	X	Y	Z	rwe	im en	im va	au en	-a /s	lu en	lf	su en	st	ld en	st en	r/-w	m sel	description
1																	
2																	
3																	

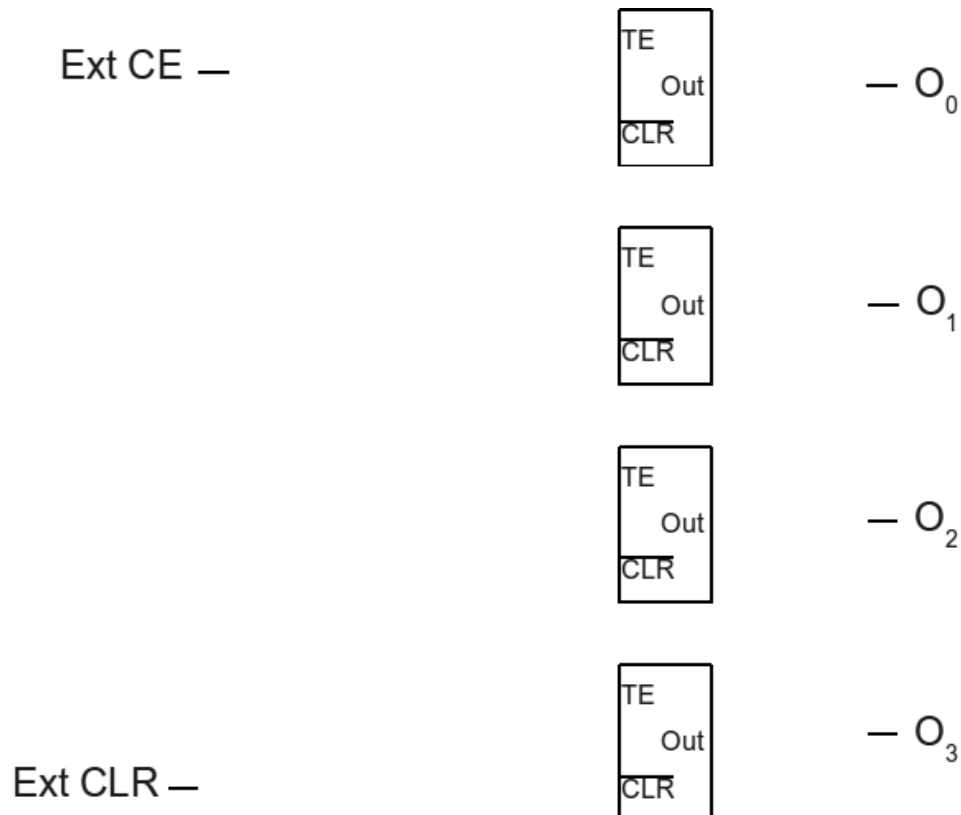
Problem 3 (3 parts, 30 points)

Counters

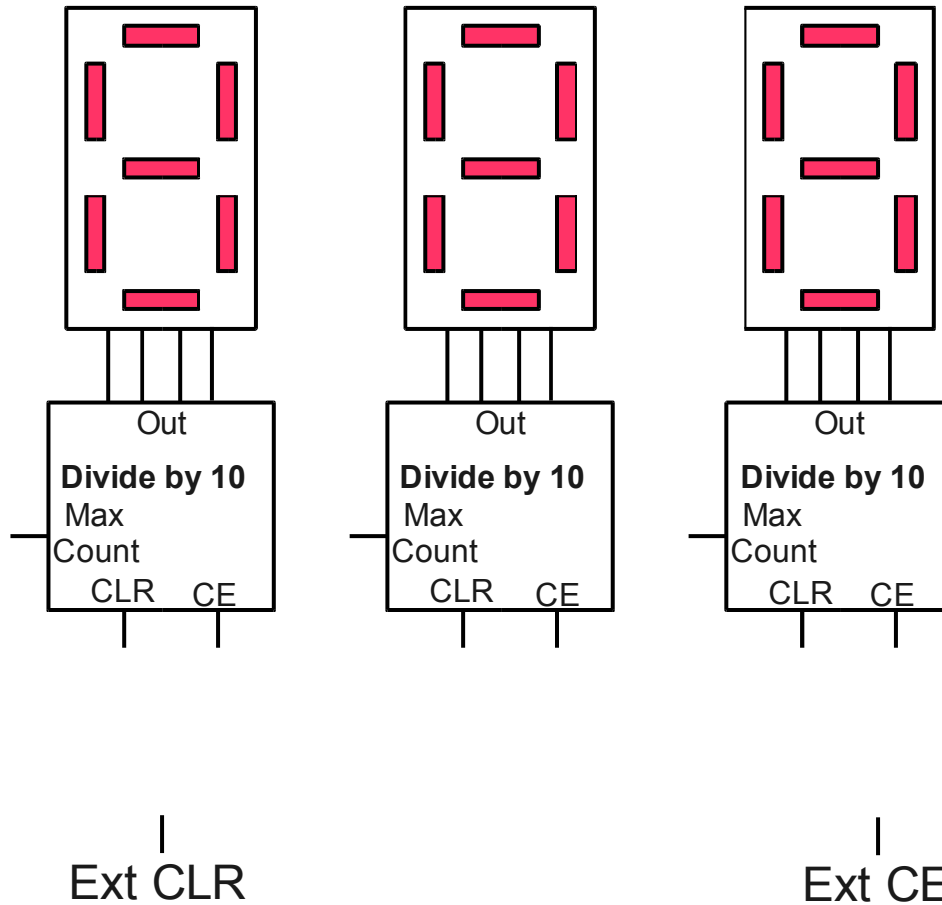
Part A (10 points) Design a toggle cell using transparent latches and basic gates. Use an icon for the latch. Your toggle cell should have an active high toggle enable input **TE**, and an active low clear input **CLR**, clock inputs  $\Phi_1$  and  $\Phi_2$ , and an output **Out**. The  $\overline{\text{CLR}}$  signal has precedence over **TE**. Label all signals. Also complete the behavior table for the toggle cell.

TE	$\overline{\text{CLR}}$	CLK	Out
0	0	$\uparrow\downarrow$	
1	0	$\uparrow\downarrow$	
0	1	$\uparrow\downarrow$	
1	1	$\uparrow\downarrow$	

Part B (10 points) Now combine these toggle cells to build a **divide by 10** (decade) counter. Your counter should have an external clear, external count enable, and four count outputs  $O_3, O_2, O_1, O_0$ . Use any basic gates (AND, OR, NAND, NOR, & NOT) you require. Assume clock inputs to the toggle cells are already connected. *Your design should support multi-digit systems.*



Part C (10 points) Build a three digit decimal counter (0 - 999) using three decade counters drawn below. Use any basic gates you require. Assume clock inputs are already connected.



Problem 4 (2 parts, 15 points)

Microcode

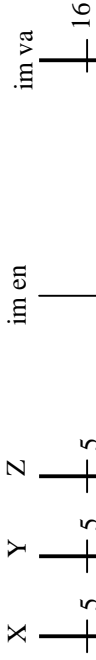
Part A (9 points) Consider the following input and output values for a shift operation. Determine the shift *type* and *amount* required to achieve the listed transformation. I/Os are in hexadecimal.

Input Value	Output Value	Shift Type	Shift Amount (signed decimal value)
87654321	32187654		
87654321	54321000		
87654321	FFFFFF87		

Part B (6 points) Consider the following input and output values for a logical operation. Determine the *logical function* and *function code* (in hexadecimal) required for the operation.

X Input	Y Input	Output	Logical Function	Function Code
87654321	0000FFFF	0000FFFF		
87654321	0000FFFF	FFFFBCDE		

<i>cycle</i>	cycle number
<i>X</i>	register driven onto X bus
<i>Y</i>	register driven onto Y bus
<i>Z</i>	register written from Z bus
<i>rwe</i>	register write enable
<i>im en</i>	immediate enable on Y bus
<i>im va</i>	immediate value



sign extender

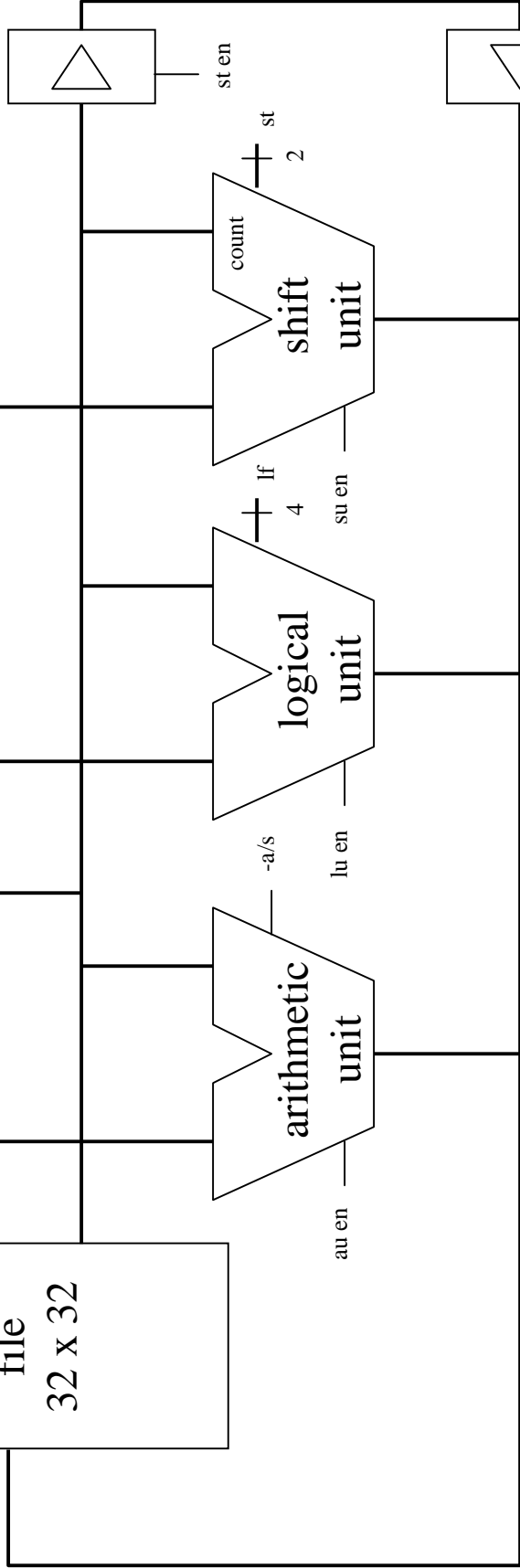
rwe



r/-w msel

register file  
32 x 32

<i>au en</i>	arithmetic unit enable
<i>-a/s</i>	-add / sub (0 = add, 1 = subtract)
<i>lu en</i>	logical unit enable
<i>lf</i>	logical function
<i>su en</i>	shift unit enable
<i>st</i>	shift type
<i>ld en</i>	load enable
<i>st en</i>	store enable
<i>r/-w</i>	read/-write (0 = write, 1 = read)
<i>m sel</i>	memory select
<i>description</i>	operation description



logical functions

X	Y	out
0	0	If <sub>0</sub>
1	0	If <sub>1</sub>
0	1	If <sub>2</sub>
1	1	If <sub>3</sub>

shift types

- 0 = logical
- 1 = arithmetic
- 2 = rotate
- + count shifts right
- count shifts left